

| | S12 | S11 | S10A | S10 | S9 | S8 | S7 | S6 | ST01 | ST02 | S4_BRIO MANHOLE | S3 | S2 | S2a | S1 | |
|--------------|---------|---------|---------|---------|---------|---------|---------|---------|---------|------------|-----------------|---------|---------|---------|-----------|---------|
| COVER LEVEL | 118.674 | | | | | | | | | | | | | | | 113.229 |
| INVERT LEVEL | 115.029 | 114.706 | 114.527 | 114.325 | 114.230 | 112.812 | 112.728 | 112.678 | 112.550 | 111.850 | 111.835 | 111.590 | 111.421 | 111.441 | 111.402 | 113.300 |
| DEPTH (m) | 3.645 | 2.413 | 1.489 | | | 3.474 | 4.352 | 4.106 | 111.850 | 777 | 1.529 | 3.328 | 2.467 | 1.890 | 1.137 | 1.886 |
| DISTANCE (m) | | 37.16 | 14.49 | 60.68 | 28.52 | 19.43 | 25.25 | 13.30 | 6.21 | 26.73 | 6.68 | 20.52 | 23.40 | 3.23 | 4.4 | 4.26 |
| PIPE SLOPE | | 1:115 | 1:81 | 1:300 | 1:301 | 1:301 | 1:300 | 1:264 | 1:21 | Horizontal | 1:450 | 1:82 | 1:147 | 1:294 | 1:111.171 | 1:167 |
| PIPE SIZE | | 375mm | 450mm | 525mm | 525mm | 525mm | 525mm | 600mm | 600mm | 1050mm | 600mm | 600mm | 600mm | 600mm | 600mm | 600mm |

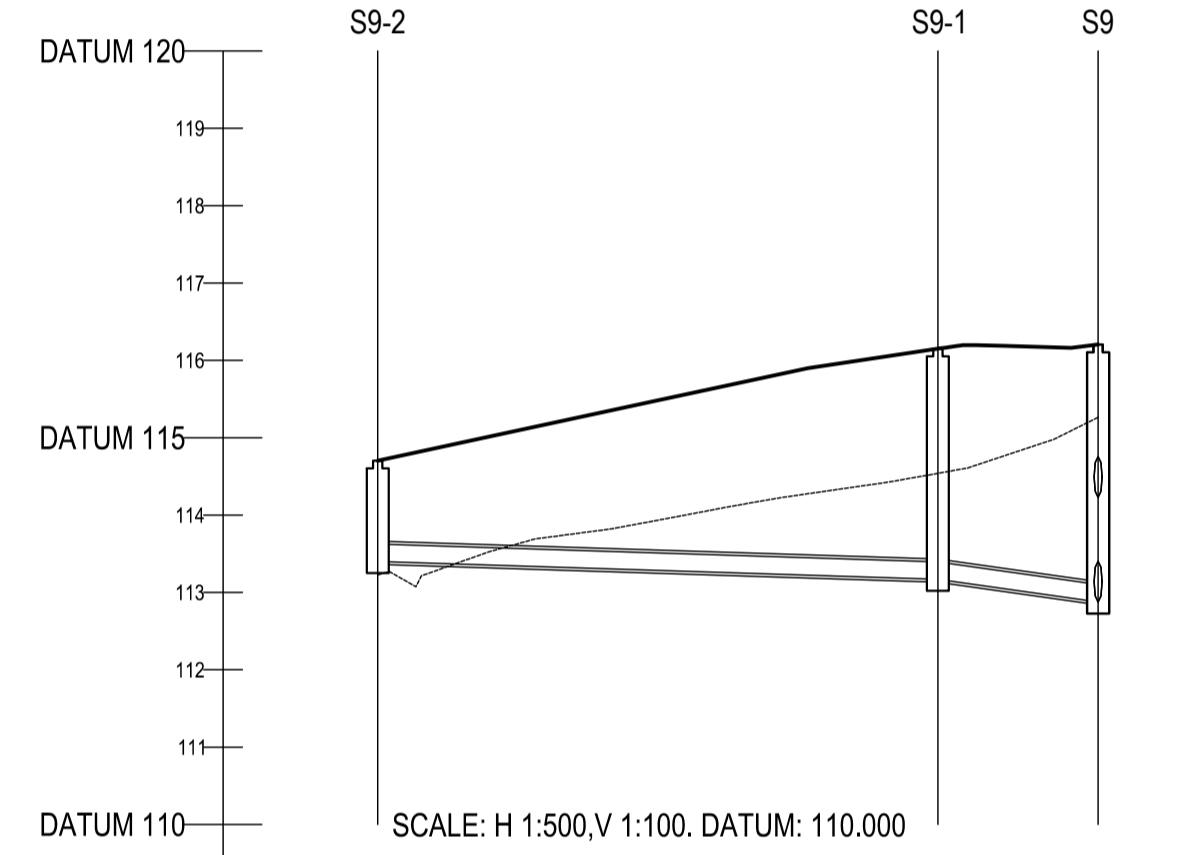
ON ORIGINAL
0 5 10 20 30 40 50mm

© COPYRIGHT OF THIS DRAWING IS RESERVED BY DBFL CONSULTING ENGINEERS. NO PART SHALL BE REPRODUCED OR TRANSMITTED WITHOUT THEIR WRITTEN PERMISSION.

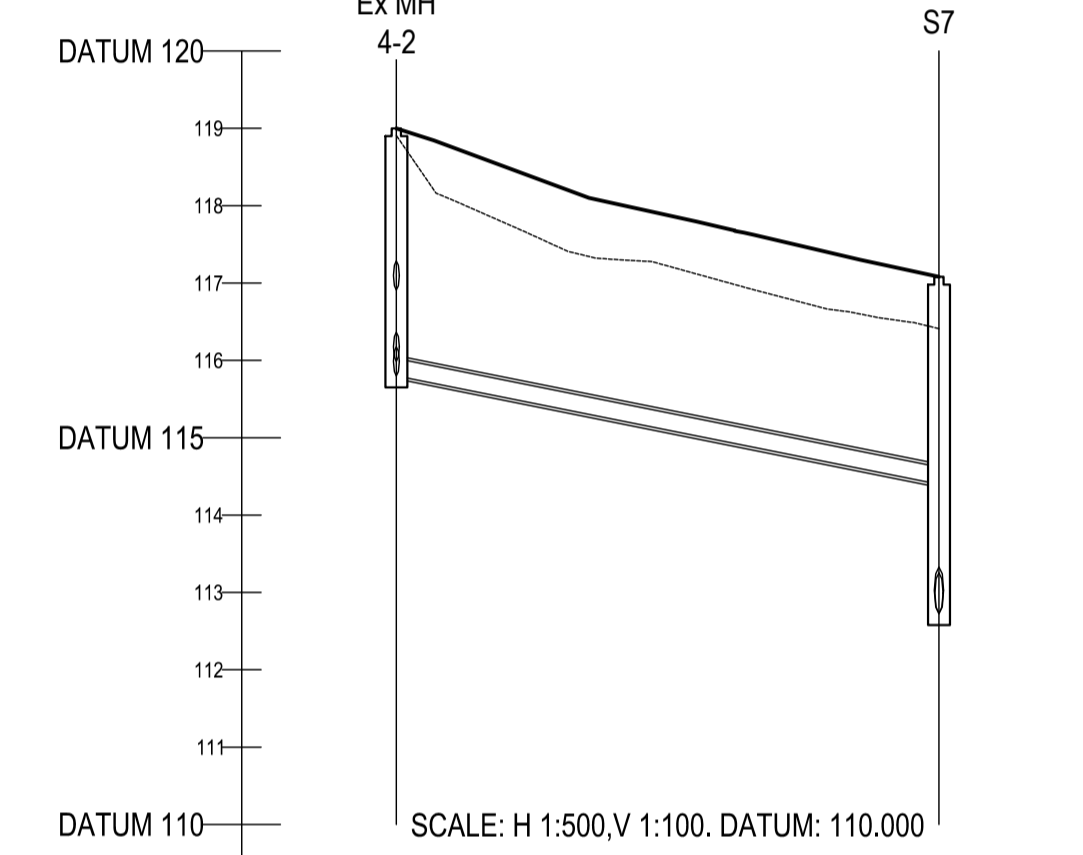
NO CHANGES OF WHATSOEVER NATURE ARE TO BE MADE TO ANY DETAILS SET OUT OR CONTAINED IN ANY DBFL SPECIFICATIONS OR DRAWINGS UNLESS THE EXPRESS CONSENT HAS BEEN OBTAINED IN ADVANCE, IN WRITING, FROM DBFL.

NOTES:

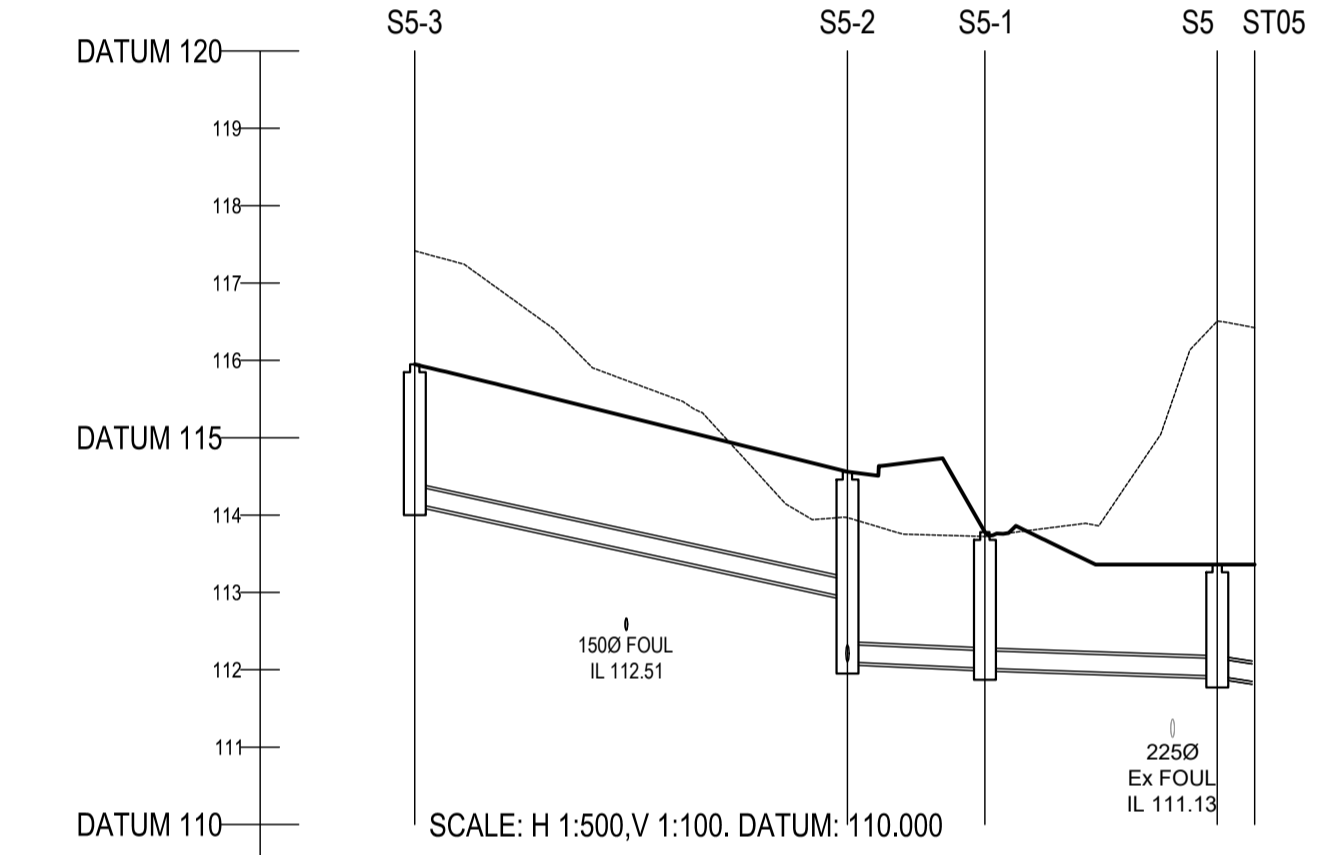
- ALL DRAWINGS TO BE CHECKED BY CONTRACTOR ON SITE AND ENGINEER INFORMED OF DISCREPANCIES BEFORE WORK COMMENCES
- ALL LEVELS ARE IN METRES AND ARE RELATED TO ORDINANCE DATUM
- CONTRACTOR SHALL SATISFY HIMSELF AS TO THE ACCURACY OF PAVEMENT LEVELS ON SITE PRIOR TO COMMENCEMENT OF WORKS ON SITE
- ALL WORKS TO BE CONSTRUCTED IN ACCORDANCE WITH THE NRA SPECIFICATION FOR ROAD WORKS UNLESS NOTED OTHERWISE
- THIS DRAWING IS FOR PLANNING PURPOSES ONLY
- MANHOLE COVER LEVELS ARE TO CONFORM WITH FINISHED ROAD AND PATH LEVELS
- WHERE COVER TO PIPE IS LESS THAN 1200mm (ROAD/PATH/VERGE) OR 900mm (OPEN SPACE) SURROUND PIPE IN MINIMUM 150mm CONCRETE



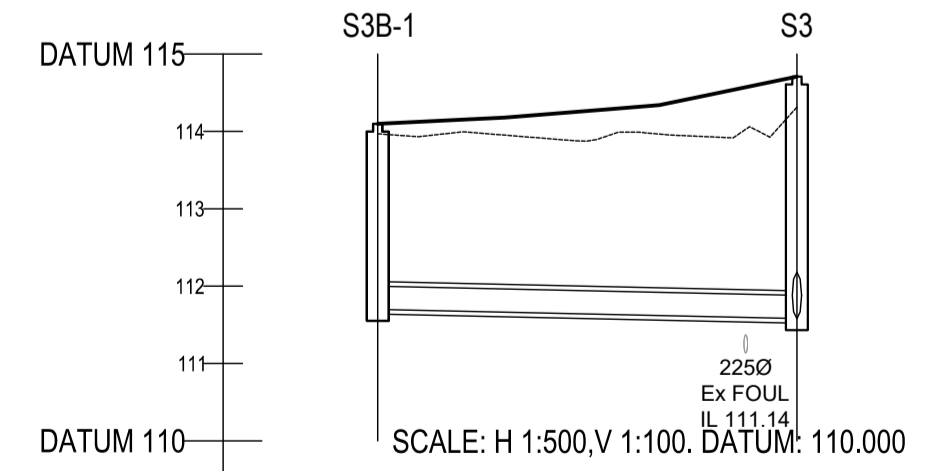
| | S9-2 | S9-1 | S9 |
|--------------|---------|---------|---------|
| COVER LEVEL | 114.704 | 116.162 | 116.205 |
| INVERT LEVEL | 113.400 | 113.170 | 112.877 |
| DEPTH (m) | 1.304 | 2.992 | 3.328 |
| DISTANCE (m) | | 36.21 | 10.36 |
| PIPE SLOPE | | 1:157 | 1:35 |
| PIPE SIZE | | 225mm | 225mm |



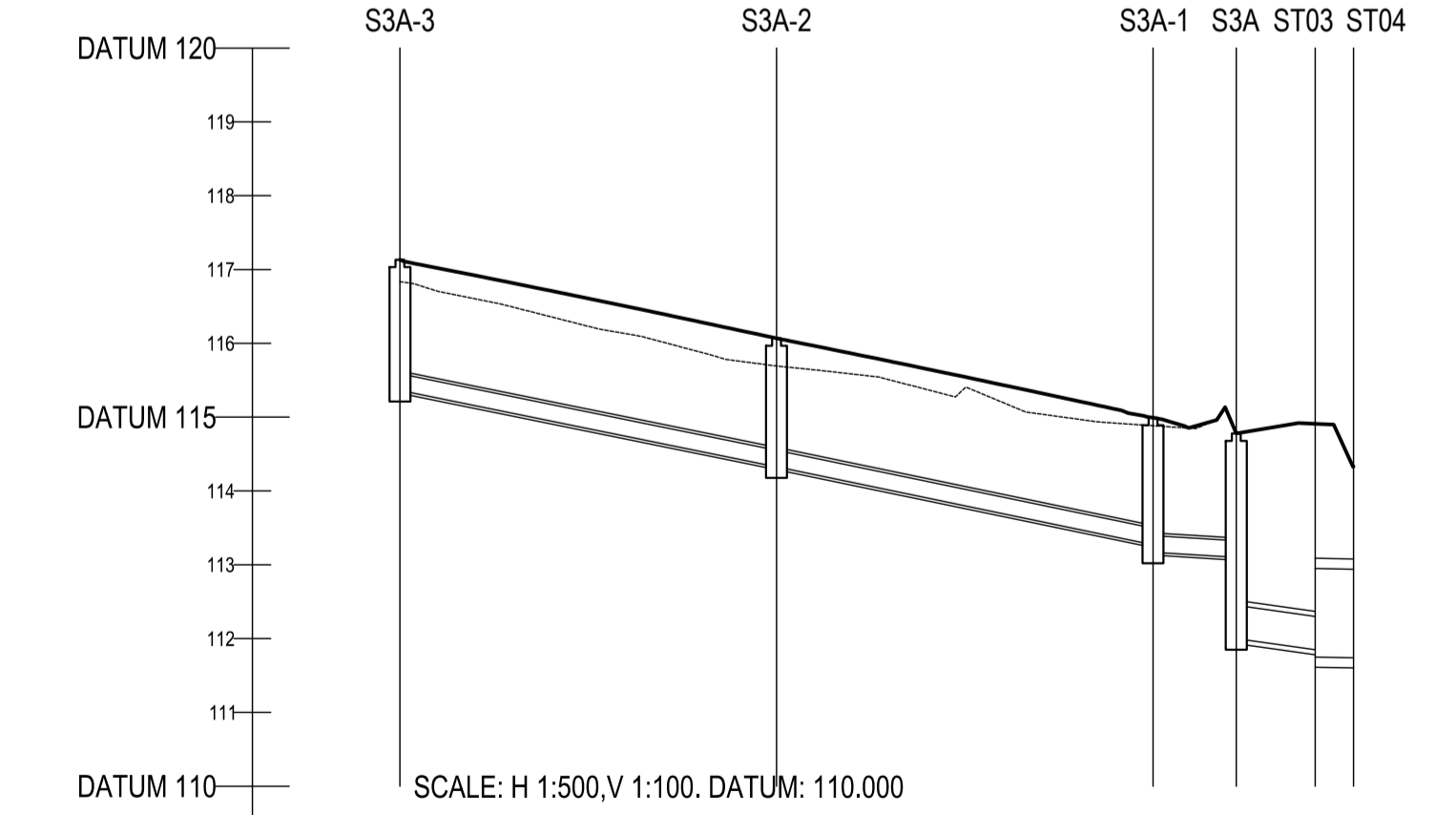
| | Ex MH 4-2 | S7 |
|--------------|-----------|---------|
| COVER LEVEL | 119.000 | 117.090 |
| INVERT LEVEL | 115.800 | 114.397 |
| DEPTH (m) | 3.200 | 4.392 |
| DISTANCE (m) | | 35.08 |
| PIPE SLOPE | | 1:25 |
| PIPE SIZE | | 225mm |



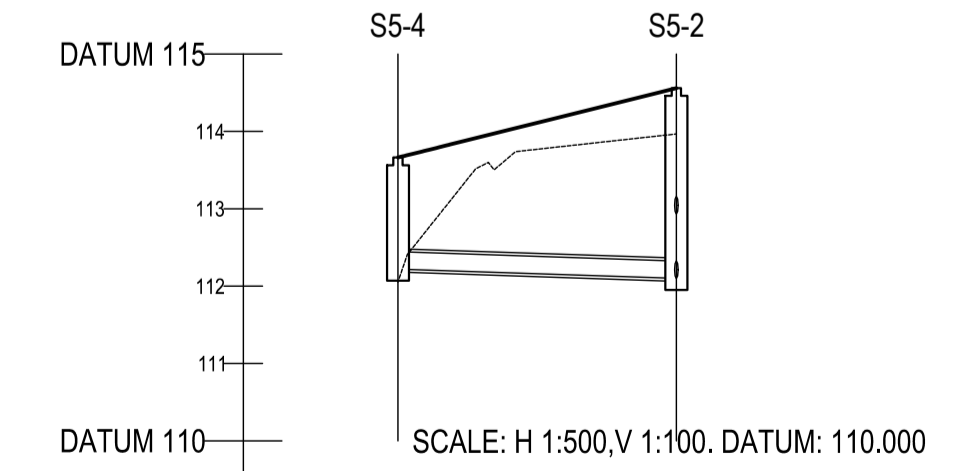
| | S5-3 | S5-2 | S5-1 | S5 | ST05 |
|--------------|---------|---------|---------|---------|---------|
| COVER LEVEL | 115.948 | 114.559 | 113.779 | 113.360 | 112.128 |
| INVERT LEVEL | 114.150 | 112.834 | 112.020 | 111.960 | 111.080 |
| DEPTH (m) | 1.798 | 2.459 | 1.759 | 1.400 | 1.510 |
| DISTANCE (m) | | 27.98 | 8.88 | 15.02 | 2.25 |
| PIPE SLOPE | | 1:23 | 1:111 | 1:150 | 1:32 |
| PIPE SIZE | | 225mm | 225mm | 225mm | 225mm |



| | S3B-1 | S3 |
|--------------|---------|---------|
| COVER LEVEL | 114.098 | 114.708 |
| INVERT LEVEL | 111.700 | 111.590 |
| DEPTH (m) | 2.398 | 3.128 |
| DISTANCE (m) | | 27.10 |
| PIPE SLOPE | | 1:226 |
| PIPE SIZE | | 300mm |



| | S3A-3 | S3A-2 | S3A-1 | S3A | ST03 | ST04 |
|--------------|---------|---------|---------|---------|---------|---------|
| COVER LEVEL | 117.132 | 116.067 | 114.392 | 114.779 | 113.162 | 113.162 |
| INVERT LEVEL | 115.362 | 114.327 | 113.270 | 113.000 | 111.880 | 111.770 |
| DEPTH (m) | 1.770 | 1.740 | 1.822 | 2.779 | 0.519 | 0.777 |
| DISTANCE (m) | | 25.52 | 5.64 | 5.35 | 2.59 | |
| PIPE SLOPE | | 1:25 | 1:81 | 1:36 | 1:264 | |
| PIPE SIZE | | 225mm | 225mm | 450mm | 200mm | |



| | S5-4 | S5-2 |
|--------------|---------|---------|
| COVER LEVEL | 113.883 | 114.559 |
| INVERT LEVEL | 112.220 | 112.100 |
| DEPTH (m) | 1.443 | 2.459 |
| DISTANCE (m) | | 18.00 |
| PIPE SLOPE | | 1:150 |
| PIPE SIZE | | 225mm |

KEY
 ----- EXISTING GROUND PROFILE
 _____ PROPOSED GROUND PROFILE

| | | | | |
|--------------------------|------------|----------------------|-----|-------|
| 0 | 14-07-22 | SHD STAGE 3 PLANNING | GMC | BCM |
| rev | date | description | by | chkd. |
| STATUS CODES | | | | |
| purpose | acceptance | | | |
| P3 - PLANNING PERMISSION | S - ISSUED | | | |

DBFL Consulting Engineers
Civil, Structural & Transportation Engineering
www.dbfl.ie

DUBLIN OFFICE: Ormond House, Upper Ormond Quay, Dublin 7, D07 W074
PHONE: +353 1 454 4000

CORK OFFICE: 14 South Mall, Cork, T12 CT91
PHONE: +353 21 2624538

WATERFORD OFFICE: 54a-56 The Arcade, Maritime Gate, Canada Street, Waterford, X91 W028
PHONE: +353 51 309 560

project ref:

RESIDENTIAL DEVELOPMENT AT STEPSIDE, CO. DUBLIN

drawing title:

LONGITUDINAL SECTIONS THROUGH SURFACE WATER SHEET 1

client:

MCGARRELL REILLY HOMES

| | | | |
|-------------------------------------|----------|------------------|------------|
| designed by | author | scale | sheet size |
| BCM | GMC | H 1:500, V 1:100 | A1 |
| drawing no. | revision | | |
| 200165-X-91-200-DTM-DR-DBFL-CE-3311 | | | 0 |