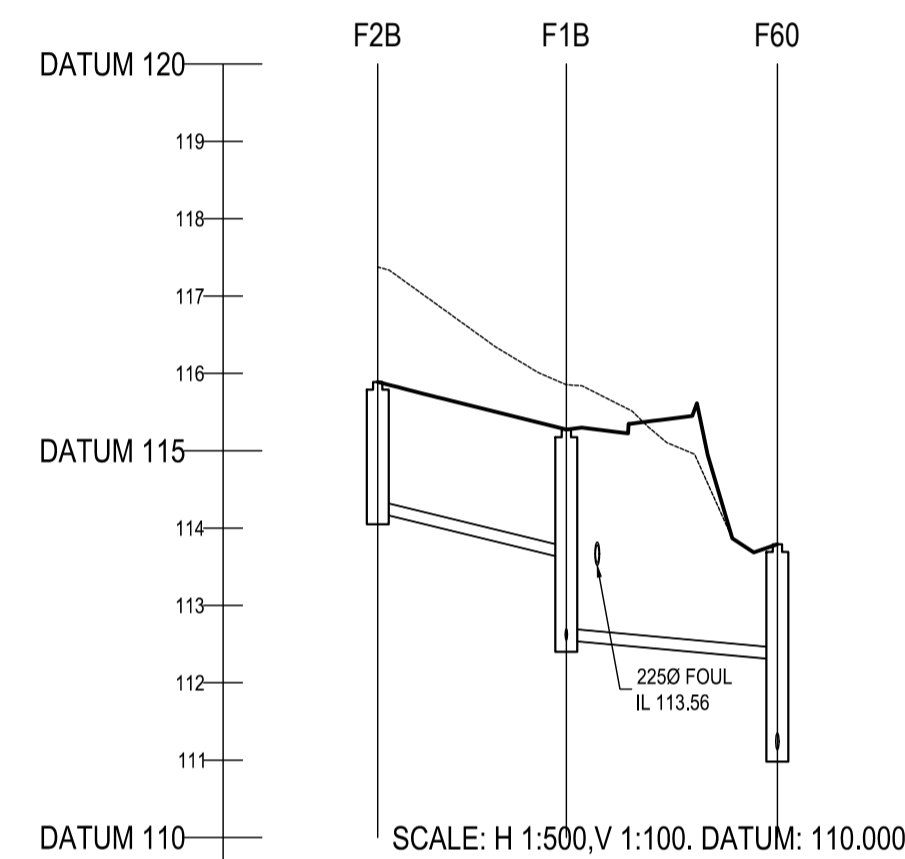
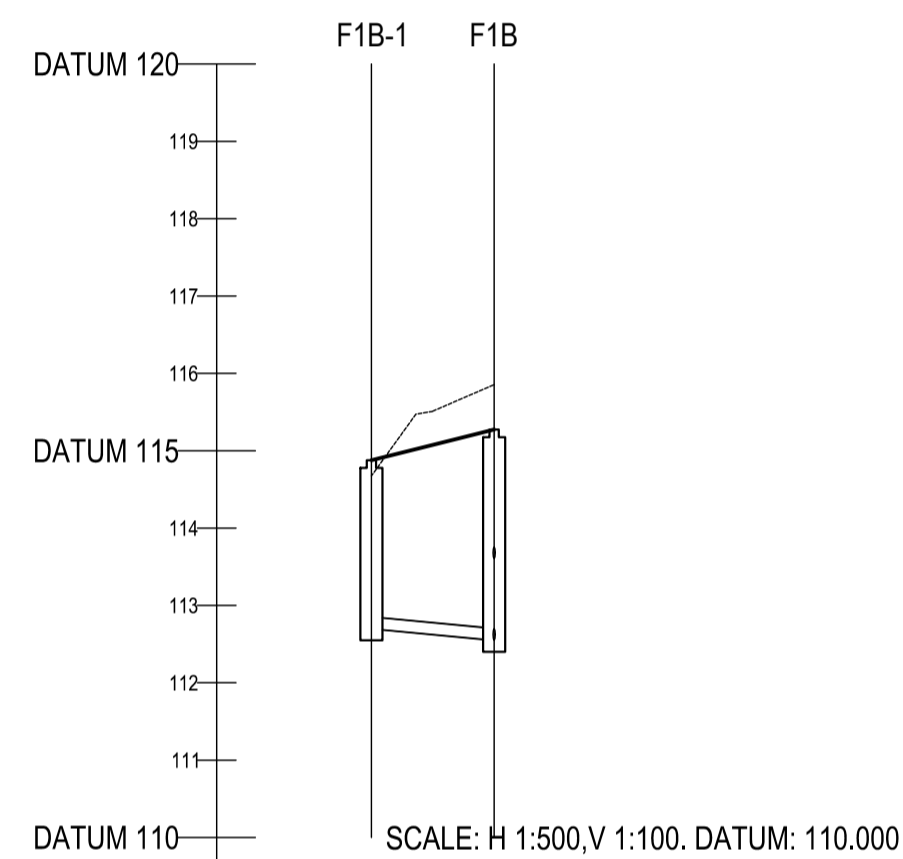


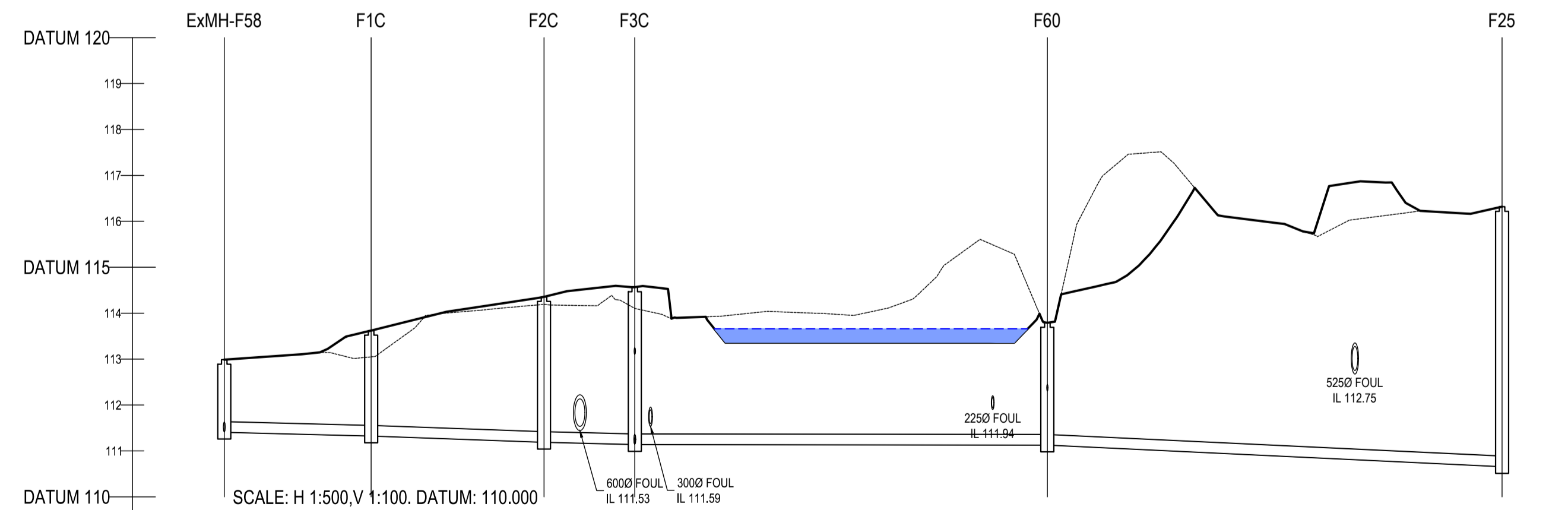
COVER LEVEL	118.668	118.668	118.669
INVERT LEVEL	115.000	114.730	114.654
DEPTH (m)	3.668	2.927	2.015
DISTANCE (m)	26.98	8.60	
PIPE SLOPE	1:100	1:113	
PIPE SIZE	225mm	225mm	
PIPE TYPE	uPVC SN8	uPVC SN8	



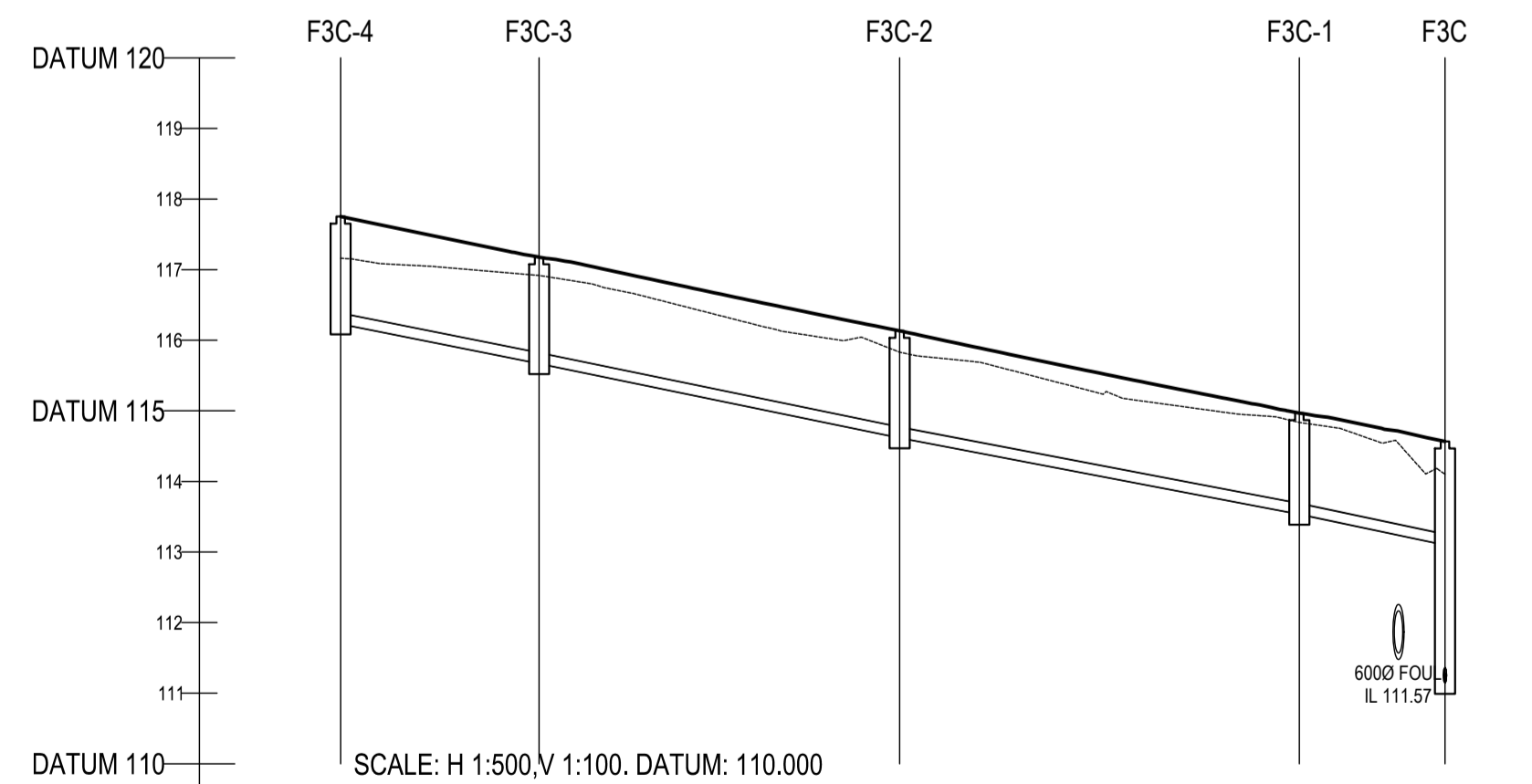
COVER LEVEL	115.890	115.274	113.791
INVERT LEVEL	114.200	112.580	112.301
DEPTH (m)	1.690	2.724	2.861
DISTANCE (m)	12.19	13.65	
PIPE SLOPE	1:20	1:55	
PIPE SIZE	150mm	150mm	
PIPE TYPE	uPVC SN8	uPVC SN8	



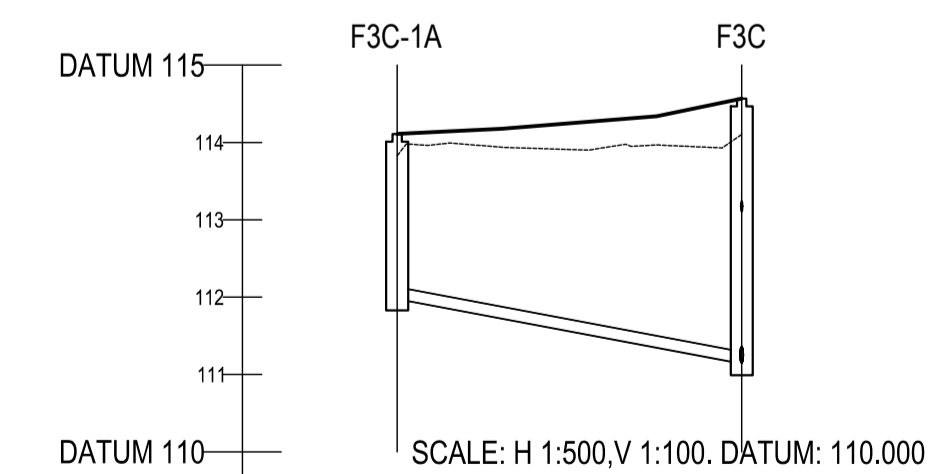
COVER LEVEL	114.878	115.274
INVERT LEVEL	112.700	112.550
DEPTH (m)	2.178	2.724
DISTANCE (m)	7.94	
PIPE SLOPE	1:53	
PIPE SIZE	150mm	
PIPE TYPE	uPVC SN8	



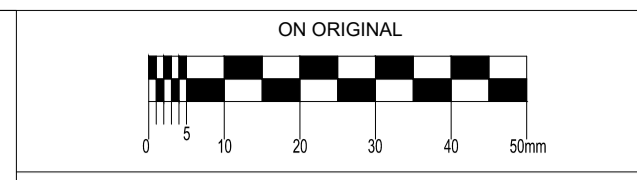
COVER LEVEL	112.888	113.821	114.356	114.587	113.791	118.318
INVERT LEVEL	111.409	111.327	111.191	111.142	111.130	110.660
DEPTH (m)	1.579	2.294	3.165	3.426	2.661	5.658
DISTANCE (m)	15.99	18.82	9.89	44.93	49.52	
PIPE SLOPE	1:195	1:138	1:200	1:4084	1:105	
PIPE SIZE	225mm	225mm	225mm	225mm	225mm	
PIPE TYPE	uPVC SN8	uPVC SN8	uPVC SN8	uPVC SN8	uPVC SN8	



COVER LEVEL	117.752	117.177	116.133	114.968	114.567
INVERT LEVEL	116.232	115.670	114.618	113.536	113.100
DEPTH (m)	1.520	1.507	1.515	1.432	3.426
DISTANCE (m)	14.06	25.53	28.31	10.31	
PIPE SLOPE	1:25	1:24	1:26	1:24	
PIPE SIZE	150mm	150mm	150mm	150mm	
PIPE TYPE	uPVC SN8	uPVC SN8	uPVC SN8	uPVC SN8	



COVER LEVEL	114.110	114.567
INVERT LEVEL	111.678	111.141
DEPTH (m)	2.132	3.426
DISTANCE (m)	22.28	
PIPE SLOPE	1:27	
PIPE SIZE	150mm	
PIPE TYPE	uPVC SN8	



© COPYRIGHT OF THIS DRAWING IS RESERVED BY DBFL CONSULTING ENGINEERS. NO PART SHALL BE REPRODUCED OR TRANSMITTED WITHOUT THEIR WRITTEN PERMISSION.  
NO CHANGES OF WHATSOEVER NATURE ARE TO BE MADE TO ANY DETAILS SET OUT OR CONTAINED IN ANY DBFL SPECIFICATIONS OR DRAWINGS UNLESS THE EXPRESS CONSENT HAS BEEN OBTAINED IN ADVANCE, IN WRITING, FROM DBFL.

- NOTES:
- ALL DRAWINGS TO BE CHECKED BY CONTRACTOR ON SITE AND ENGINEER INFORMED OF DISCREPANCIES BEFORE WORK COMMENCES
  - ALL LEVELS ARE IN METRES AND ARE RELATED TO ORDNANCE DATUM
  - CONTRACTOR SHALL SATISFY HIMSELF AS TO THE ACCURACY OF PAVEMENT LEVELS ON SITE PRIOR TO COMMENCEMENT OF WORKS ON SITE
  - ALL WORKS TO BE CONSTRUCTED IN ACCORDANCE WITH THE NRA SPECIFICATION FOR ROAD WORKS UNLESS NOTED OTHERWISE
  - THIS DRAWING IS FOR PLANNING PURPOSES ONLY
  - MANHOLE COVER LEVELS ARE TO CONFORM WITH FINISHED ROAD AND PATH LEVELS
  - WHERE COVER TO PIPE IS LESS THAN 1200mm (ROAD/PATH/VERGE) OR 900mm (OPEN SPACE) SURROUND PIPE IN MINIMUM 150mm CONCRETE

KEY  
 - - - - - EXISTING GROUND PROFILE  
 \_\_\_\_\_ PROPOSED GROUND PROFILE

rev	14-07-22	SHD STAGE 3 PLANNING PERMISSION	GMC	BCM
description				
by				
chkd.				

STATUS CODES  
 P3 - PLANNING PERMISSION S - ISSUED

DBFL Consulting Engineers  
 Civil, Structural & Transportation Engineering  
 www.dbfl.ie

DUBLIN OFFICE: Ormond House, Upper Ormond Quay, Dublin 7, D07 W704  
 PHONE +353 1 454 4300  
 CORK OFFICE: 14 South Mall, Cork, T12 CT91  
 PHONE +353 21 2024538  
 WATERFORD OFFICE: Sals-Idr The Atrium, Maritime Gate, Canada Street, Waterford, X91 W028  
 PHONE +353 51 309 560

project ref.

RESIDENTIAL DEVELOPMENT AT  
 STEPASIDE, CO. DUBLIN

drawing title  
 LONGITUDINAL SECTIONS THROUGH  
 FOUL SEWER SHEET 1

client  
 MCGARRELL REILLY HOMES

designed by	author	scale	sheet size
BCM	GMC	H 1:500, V 1:100	A1
drawing no.			revision
200165-X-92-Z00-DTM-DR-DBFL-CE-3331			0